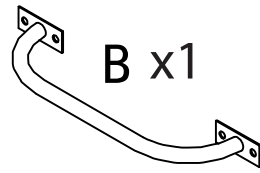


A x1



B x1



O x4



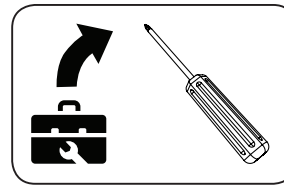
P x4



Q x4



D x1



H x2



G x16



F x1



J x16



M x1



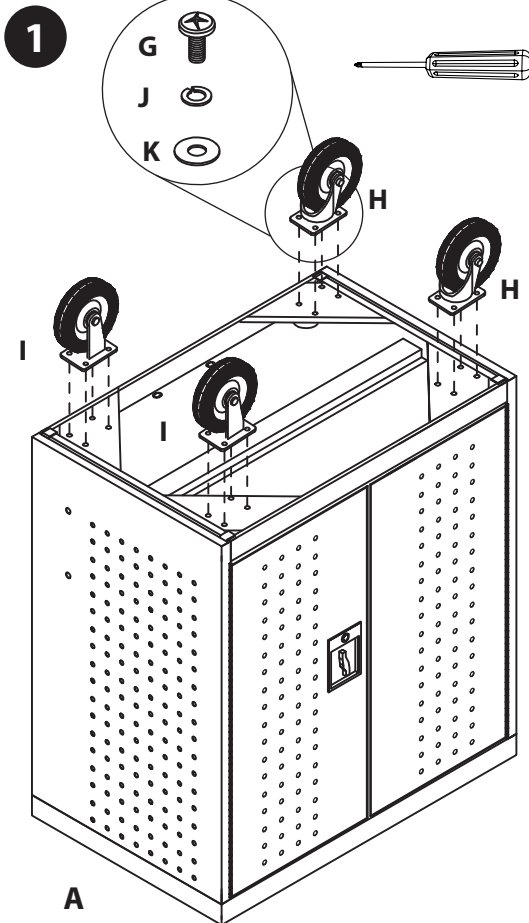
I x2



K x16



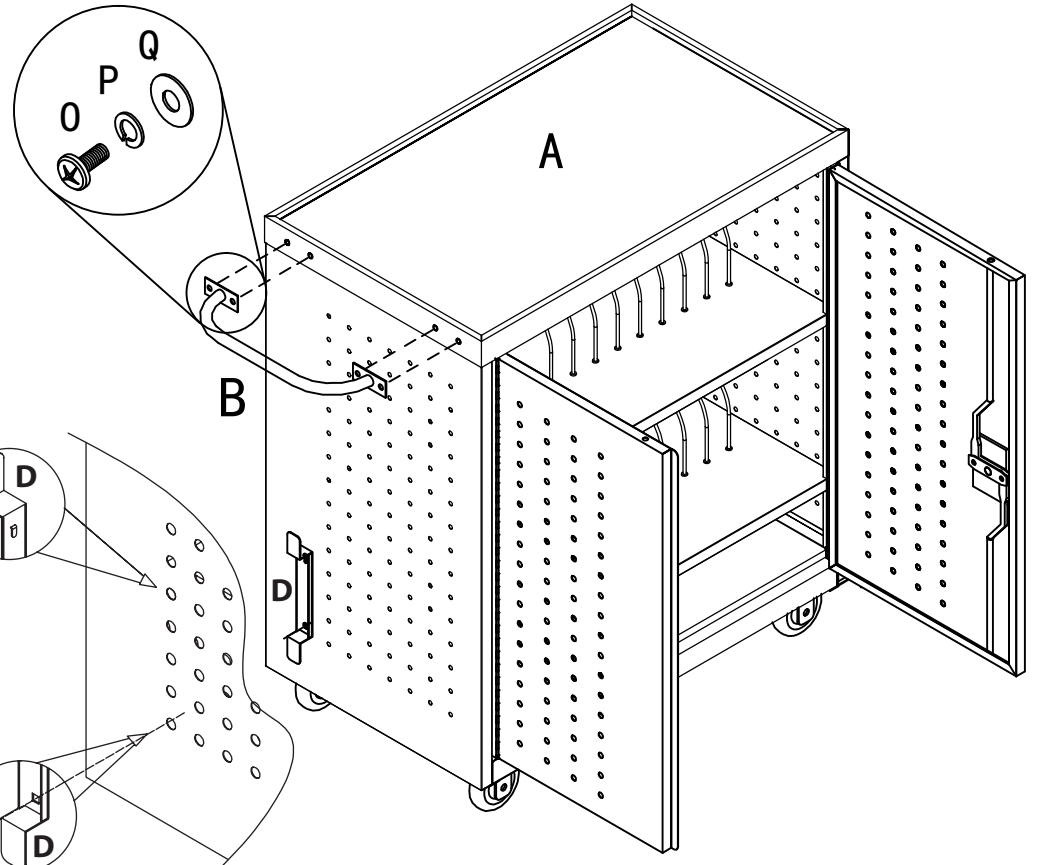
N x2



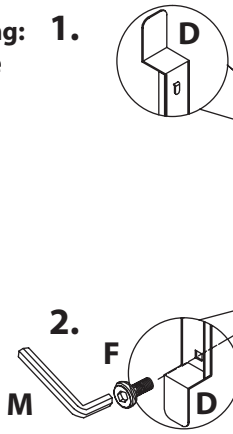
1



2



**Heavy Lifting:
Assistance
Required**



1.

2.